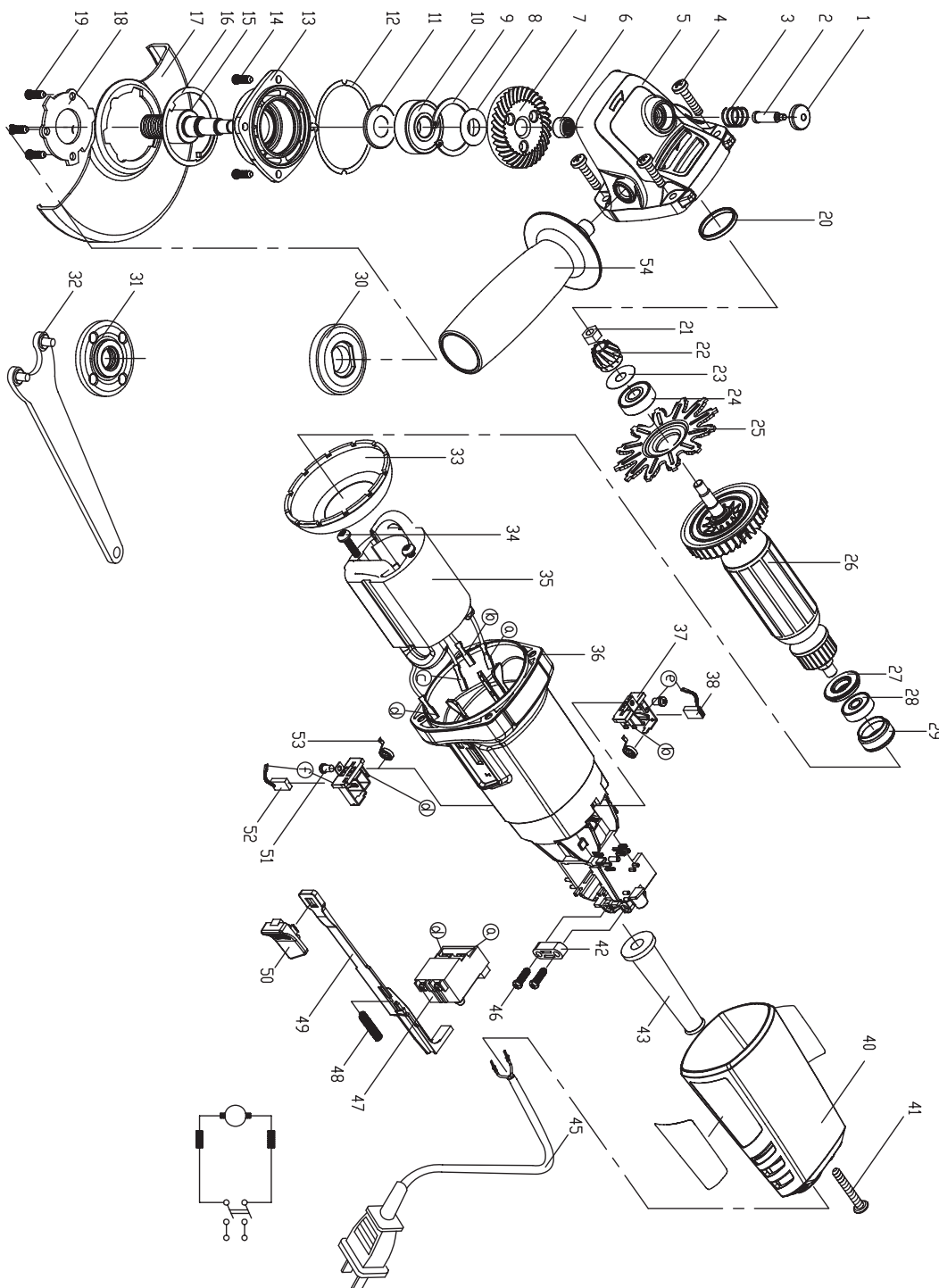


FLEX

Ersatzteilliste
Spare parts List
Liste des Pièces de rechange
Lista de repuestos

L3709 120/USA

Ref. No.	Part No.	Description
1	336.440	Lock shaft button
2	336.459	Lock shaft
3	336.467	Lock shaft spring
4	908.939	Tapping screw
5	336.475	Gear box
6	336.483	Needle bearing
7	336.491	Taper gear
8	336.505	Washer for adjusting
9	336.513	Circlips for holes
10	119.482	Ball bearing
11	336.521	Dustproof dish
12	343.056	Gasket Seal
13	336.548	Gear box cover
14	331.457	Screw with spring washer
15	342.963	Spindle
16	336.564	Wave spring washer
17	335.266	Safety guard
18	336.572	Guard washer
19	331.430	Screw with spring washer
20	336.580	Rubber ring
21	221.872	Nut
22	336.599	Pinion
23	336.602	Washer
24	336.610	Ball bearing
25	342.971	bearing cover
26	342.998	Armature
27	336.645	Dustproof cover
28	254.443	Ball bearing
29	336.653	Bearing sleeve
30	342.920	Clamping flange
31	132.330	Retaining nut
32	100.110	Wrench
33	336.661	Cover for wind
34	336.823	Tapping screw
35	343.005	Field
36	336.696	Front housing
37	336.718	Holder of brush
38,52	343.021	Carbon brush
40	343.048	Back housing
41	329.797	Tapping screw
42	336.742	Cable clamp
43	336.750	Cord guard
45	343.013	Power cord
46	308.293	Tapping screw
47	336.769	Switch
48	336.777	Spring for switch
49	336.785	Switch drawbar
50	336.793	Switch pushbutton
51	336.831	Tapping screw
53	336.858	Wind spring
54	342.661	Side handle



Änderungen vorbehalten
Modifications reserved
Modifications reserves
Salvo modificaciones

Nur für Reparaturwerkstätten und Elektrofachkräfte
Only for specialized electrical personnel and repair-shops
Uniquement pour les ateliers de réparation et les électriciens qualifiés
Sólo para talleres de reparación y electricistas